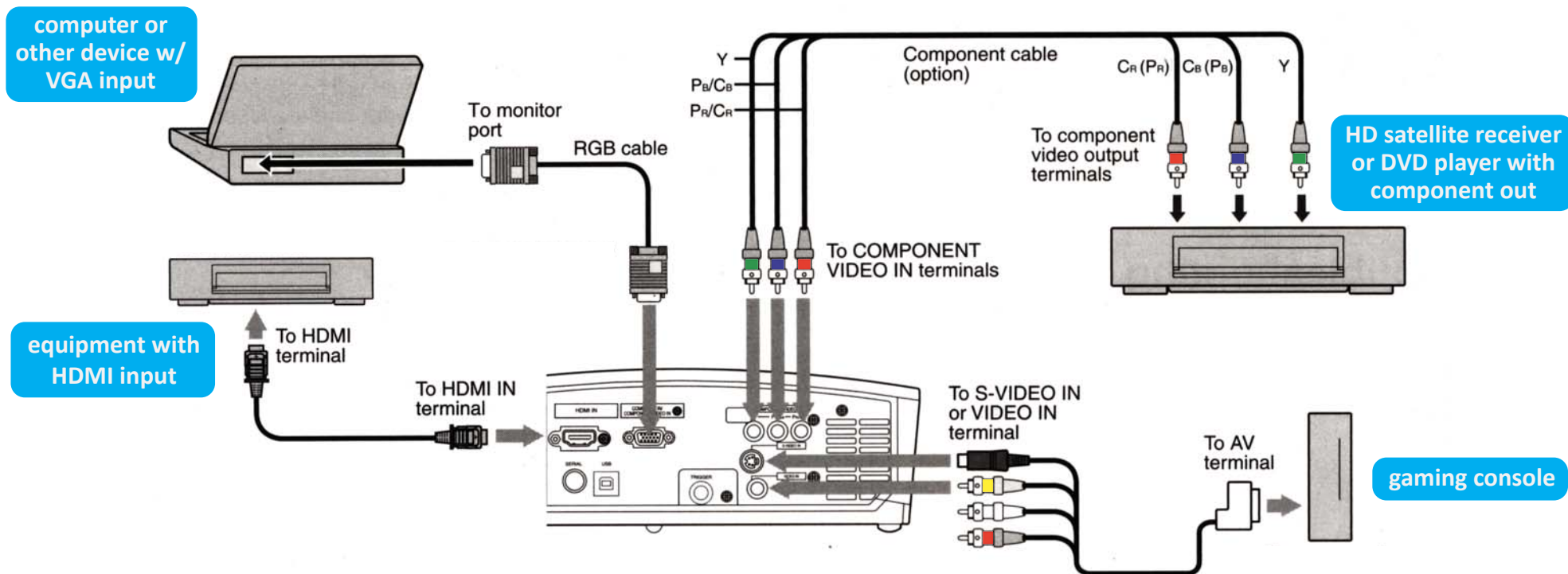



Quick Start Guide

HD Projector



- 1 Shown below are the various connection options available for this projector. To begin your setup, find the device that you're using below, and reference the diagram for the proper cable connections.



- 2 Connect power cord to projector and plug into an electrical outlet
- 3 Press POWER to turn on the projector 
- 4 Adjust ZOOM and FOCUS by sliding tabs on top of the projector
- 5 If necessary, press the ASPECT button on the remote control to change the aspect ratio



If you encounter any problems whatsoever, please call us at 1-877-633-8866. We're more than happy to help!